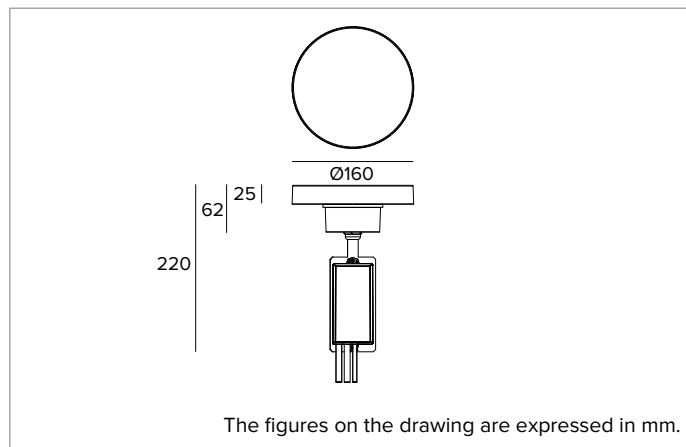


# 1E4025DA | MRS BO BOLLARD

## Radial-emission LED bollard



	4000K	H(m)	D1(m)	D2(m)	E <sub>max</sub> (lx)		
	Ra80	49°	53°				
Fixture Power	9W	1	2.36	1.58	126		
Source Flux	1527lm	2	4.73	3.15	31		
Fixture Flux	257lm	3	7.09	4.73	14		
Efficacy	29lm/W	4	9.46	6.31	8		
TS1589	I <sub>max</sub> =181cd/klm	I <sub>max</sub>	276cd	5	11.82	7.88	5



### SOURCE

Chip on Board LED Ra80. Ra90 on request.

**Energy efficiency class:** D

**Nominal power:** 8,2W

**Nominal flux:** 1527lm

**Colour rendering index:** 80

**Rf:** 82

**Rg:** 95

**CCT nominal:** 4000K

**SDCM:** 2

**Lifetime (L80/B10):** >50000h tq +25°C

### ILLUMINOTECHNICAL CHARACTERISTICS

A high reflectance anodised aluminium printed reflector. Transparent polycarbonate screen placed horizontally to avoid upwards flow (0 candles above horizontal axis).

**Emission:** 90°

**Optic:** REFLECTOR

**Optical efficiency:** 17%

**Fixture flux:** 257lm

**Luminous efficacy:** 29lm/W

**Photobiological safety:** Compliant with RG1 low risk group

### MECHANICAL CHARACTERISTICS

Extruded aluminium body covered with cataphoresis protective treatment and coated with powder painting in Ferrite finish color. Anodized die-cast aluminium optical head.

**Colour and finish:** Ferrite

**Dimensions:** Ø 160mm

**Weight:** 1.24Kg

**Degree of protection:** IP66

**Mechanical Resistance:** IK10

### ELECTRICAL CHARACTERISTICS

Integrated power supply for the DALI version. Casambi control system available using a dedicated accessory. Luminaire compliant with EN 60598-2-22 for power supply from a centralised emergency system CPSS (Central Power Supply System), not incorporated in the luminaire - high risk areas excluded. The default power and flux are 100% in AC and 100% in DC.

**Fixture Power:** 9W

**Power supply:** 220-240Vac 50/60Hz

**Insulation Class:** CLASS 2

**Type of driver / Control:** DALI

**Driver included:** YES

**Class F:** YES

**SAFE FLICKER:** PstLM=<1 and SVM=<0.4 (IEC TR 61547-1 and IEC TR 63158), to ensure a more comfortable and safe light

**Ambient temperature:** -25°C / +35°C

### INSTALLATION

"Bayonet" fixing system for the optical head. Available with three different height poles - 371, 771 and 971mm. To be completed with a stainless steel anchoring system, available in two versions with hidden plate or surface plate for installation with dowels. On both mounting options can be applied stainless steel rods for installation in concrete.

### NOTES

Uses the "Waterblock Plus" technical solution that involves resin coating the connection cables and completely resin coating the integrated driver limiting the risk of humidity reaching the fixture. Cataphoresis treatment for the optical head available on request. 110-277Vac version available on request. Commissioning of the control system via free APP; the intervention of a specialist technician can be quoted on request.

### WARRANTY

5 years.

### WARNING

Luminaire designed for disposal/recycling at end-of-life. Replaceable (LED only) light source by a professional. Replaceable control gear by a professional.

Due to the technological evolution of the electronic components, the data provided may be updated, and as such, confirmation must be requested during the order process.

Luminous flux and power supply have +/-10% tolerances with respect to the indicated value. tq +25°C (CIE 121).

We reserve the right to make technical changes.

Targetti Sankey S.r.l.  
Via Pratese, 164  
50145 Firenze - Italy  
Tel: +39 055 37911  
targetti.com  
targetti@targetti.com

CCIAA Firenze  
Share Capital:  
€ 500.000,00  
VAT N. (IT):  
01537660480  
R.E.A.: FI-275656

**TARGETTI**

## 1E4025DA | MRS BO BOLLARD

### Radial-emission LED bollard

#### Related codes

##### Bollard



Kg	H mm	Colour	Code
0.8	371		<b>1E4030</b>
1.6	771		<b>1E4031</b>
2	971		<b>1E4032</b>

Extruded aluminium body covered with cathoporesis protective treatment and coated with powder painting.

##### Mounting System



Code

**1E4360**

Hidden fixing plate.  
AISI 316 stainless steel compatible with dowels to be inserted into holes with 8mm diameter.  
0.3Kg.

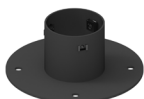


Code

**1E4034**

Fixing rods for installation in concrete.  
AISI 316 stainless steel.  
H=144mm.  
0.31Kg.  
To install MRS BO BOLLARD with hidden fixing plate (1E4360).

##### Mounting System



Code

**1E4035**

Fixing plate with flange.  
AISI 316 stainless steel compatible with dowels to be inserted into holes with 8.5mm diameter.  
0.62Kg.



Code

**1E3450**

Fixing rods for installation in concrete.  
AISI 316 stainless steel.  
H=147mm.  
0.36Kg.  
To install MRS BO BOLLARD with fixing plate with flange (1E4035).

#### Accessories

##### Connector



Code

**1E2769**

Linear connection box IP66/IP68.  
5 poles max. wire section 1.5mm<sup>2</sup>.  
Cable diameter range from 7 to 12mm.



Code

**1E2494**

Multiple connection box IP68.  
1 IN - 3 OUT 4 poles max. wire section 2.5mm<sup>2</sup>.  
Cable diameter range from 6 to 12mm.

Due to the technological evolution of the electronic components, the data provided may be updated, and as such, confirmation must be requested during the order process.  
Luminous flux and power supply have +/-10% tolerances with respect to the indicated value. tq +25°C (CIE 121).

We reserve the right to make technical changes.

Targetti Sankey S.r.l.  
Via Pratese, 164  
50145 Firenze - Italy  
Tel: +39 055 37911  
targetti.com  
targetti@targetti.com

CCIAA Firenze  
Share Capital:  
€ 500.000,00  
VAT N. (IT):  
01537660480  
R.E.A: FI-275656

# TARGETTI

## 1E4025DA | MRS BO BOLLARD

### Radial-emission LED bollard

#### Connector



Code

**1E3184**

IP68 4-way cable connector (5 pole).

#### Tool



Code

**1E3305**

Tightening wrench for the connector kit.

#### Control systems



Code

**1E3048**

IP67 wireless control unit with DALI interface.

It generates a local DALI2 bus, enabling a direct connection to a DALI interface LED driver.

The module can only be used in a closed system and cannot be connected to an existing DALI network.

The module is wireless controlled using a Casambi app for smartphones and tablets using Bluetooth 5.0 technology.

The devices automatically create an adaptive, robust, and reliable wireless mesh network, allowing for the easy and efficient management of a high number of fixtures.

The control unit is preset to the DALI 1CH profile, meaning the device can control a single DALI driver with broadcast commands.

In addition to the DALI broadcast, other operating modes are available, such as:

- Button (normally open)
- Control unit 0/1-10V
- Control unit DALI Tunable White DT8
- Presence sensor



Code

**1E4369**

IP67 Extender for wireless control of LED driver with dimming DALI interface based on Casambi technology.

It has a DALI2 output with the capacity to control up to 40 lighting fixtures.

With the addition of a further external BUS DALI power supply it is possible to control up to 64 fixtures.

IP67 Extender is preset to the DALI broadcast profile, meaning all the luminaires connected to it are dimmable at the same level.

In addition to the DALI broadcast other operating modes are available, such as:

- EXTENDER DALI 8CH
- EXTENDER DALI Tunable White
- EXTENDER DALI 4CH
- EXTENDER DALI DT8 Tunable White

#### Surge protector



Code

**A013B**

Surge protector compatible with CLASS II lighting fixtures and electronic drivers.

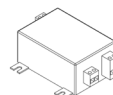
Operating voltage 220-240Vac.

SPD type 2+3.

Max surge protection 10kV.

CLASS II

IP67



Code

**A013D**

Surge protector compatible with CLASS II lighting fixtures.

DALI, DMX, 0-10V datalines compliance.

Operating voltage 230-277Vac.

SPD type 2+3.

Max surge protection 10kV.

CLASS II

IP65

*Due to the technological evolution of the electronic components, the data provided may be updated, and as such, confirmation must be requested during the order process.*

*Luminous flux and power supply have +/-10% tolerances with respect to the indicated value. tq +25°C (CIE 121).*

*We reserve the right to make technical changes.*

Targetti Sankey S.r.l.  
Via Pratese, 164  
50145 Firenze - Italy  
Tel: +39 055 37911  
targetti.com  
targetti@targetti.com

CCIAA Firenze  
Share Capital:  
€ 500.000,00  
VAT N. (IT):  
01537660480  
R.E.A: FI-275656

**TARGETTI**